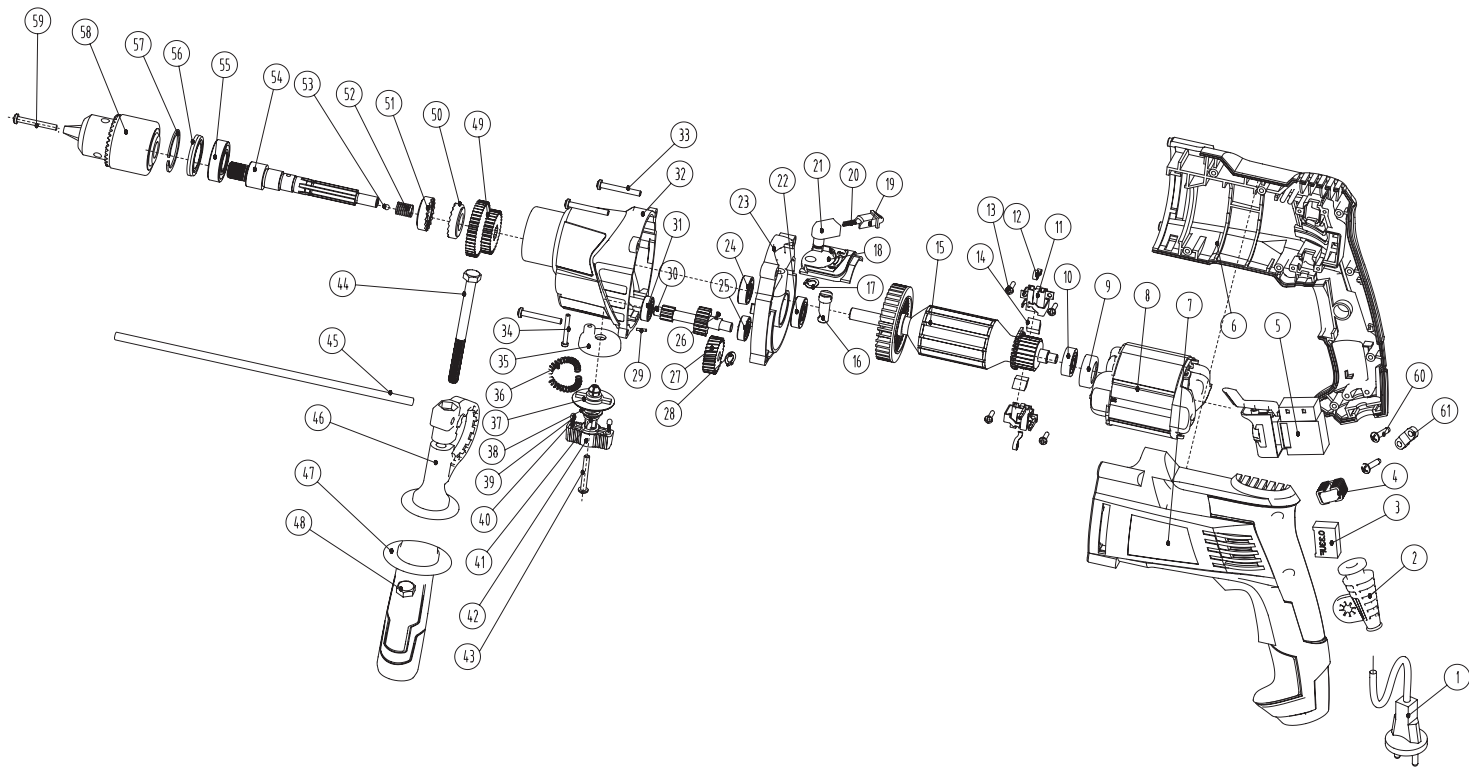


# RDP-ID31 Exploded view



**RDP-ID31 Spare Parts List**

| Parts No. | Description     | Qty |
|-----------|-----------------|-----|
| 1         | Power cable     | 1   |
| 2         | Wire protection | 1   |
| 3         | Capacitance     | 1   |
| 4         | Inductance      | 1   |
| 5         | Switch          | 1   |
| 6         | Housing-right   | 1   |
| 7         | Housing-left    | 1   |
| 8         | stator          | 1   |
| 9         | Bearing Bush    | 1   |
| 10        | Bearing         | 1   |
| 11        | Brush holder    | 2   |
| 12        | Spring          | 2   |
| 13        | Screw           | 2   |
| 14        | Brush           | 2   |
| 15        | Rotor           | 1   |
| 16        | Impact pin      | 1   |
| 17        | C ring          | 1   |
| 18        | Plate           | 1   |
| 19        | Impact button 1 | 1   |
| 20        | Spring          | 1   |
| 21        | Impact button 2 | 1   |
| 22        | Bearing         | 1   |
| 23        | Support block   | 1   |
| 24        | Bearing         | 1   |
| 40        | Bearing         | 1   |
| 26        | Pin             | 1   |
| 27        | Gear            | 1   |
| 28        | C ring          | 1   |
| 29        | Pin             | 1   |
| 30        | Pinion          | 1   |

| Parts No. | Description         | Qty |
|-----------|---------------------|-----|
| 31        | Bearing             | 1   |
| 32        | Gear-box            | 1   |
| 33        | Tapping Screw       | 1   |
| 34        | Pin                 | 1   |
| 35        | Pin base            | 1   |
| 36        | Spring              | 2   |
| 37        | Spring Base         | 1   |
| 38        | Washer              | 1   |
| 39        | Bullet head         | 1   |
| 40        | Bullet head Spring  | 1   |
| 41        | O ring              | 1   |
| 42        | Button              | 1   |
| 43        | Tapping Screw       | 1   |
| 44        | Screw pole          | 1   |
| 45        | Guage               | 1   |
| 46        | Handle nip          | 1   |
| 47        | Handle              | 1   |
| 48        | Nut                 | 1   |
| 49        | Gear                | 1   |
| 50        | Fixup impact gear   | 1   |
| 51        | Running impact gear | 1   |
| 52        | Spring              | 1   |
| 53        | Ball                | 1   |
| 54        | Shaft               | 1   |
| 55        | Bearing             | 1   |
| 56        | Ring                | 1   |
| 57        | C ring              | 1   |
| 58        | Chuck               | 1   |
| 59        | Screw               | 1   |